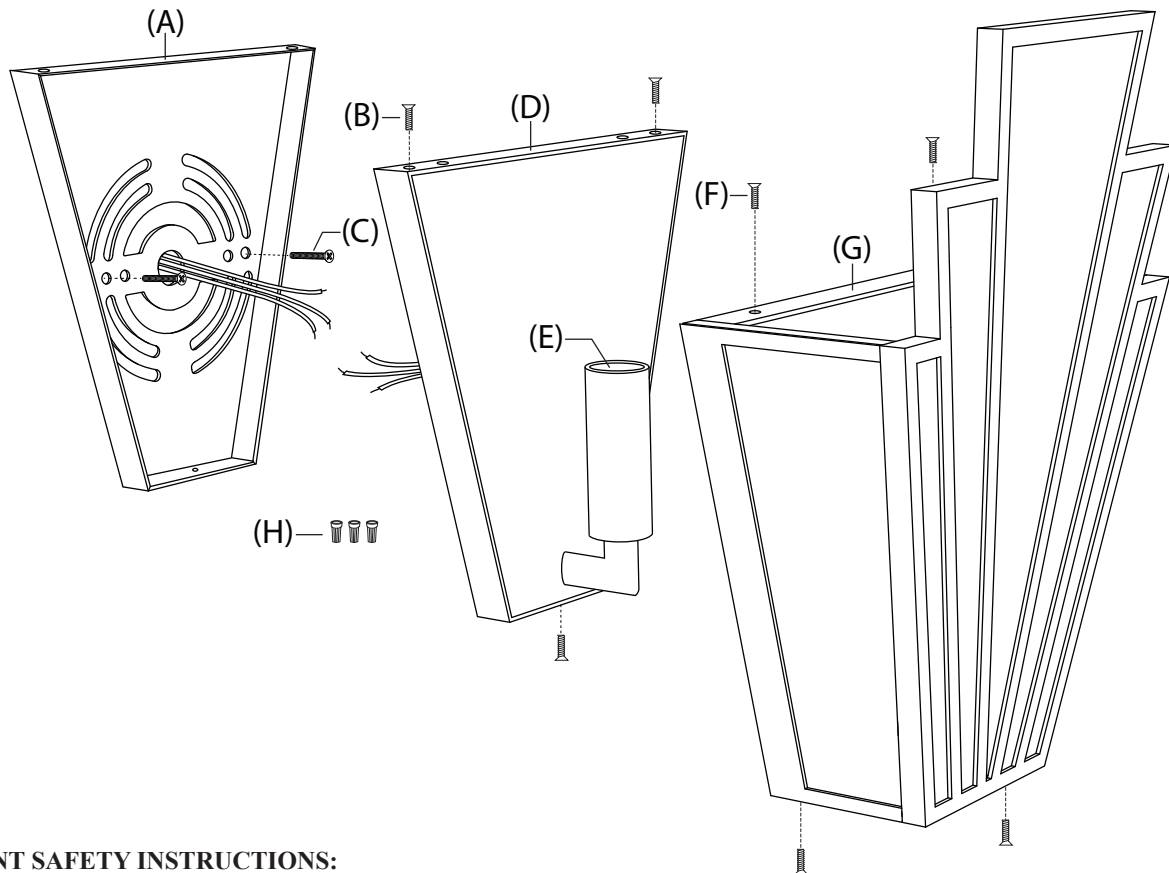


ASSEMBLY INSTRUCTIONS FOR YOUR
EMPIRE WALL SCONCE



IMPORTANT SAFETY INSTRUCTIONS:

- * These instructions are provided for your safety.
- * It is very important that they are read completely before beginning the installation of your fixture.
- * **WE STRONGLY RECOMMEND INSTALLATION BY A LICENSED ELECTRICIAN.**
- * Turn off power at switch before replacing bulbs, making sure fixture has had sufficient time to cool down.
- * This fixture is UL rated for dry locations.

ASSEMBLY INSTRUCTIONS:

1. SHUT OFF THE MAIN ELECTRICAL SUPPLY FROM THE MAIN FUSE BOX/ CIRCUIT BREAKER.
2. Remove all parts from carton and discard packing materials. Place the parts on a level surface.
3. Remove shade (G) from backplate (D) by unthreading screws (F). Set screws (F) and shade (G) aside.
4. Remove mounting plate (A) from backplate (D) by unthreading screws (B). Set screws (B) aside.
5. Carefully pull wires from the wall outlet box and thread them through the center hole in mounting plate (A).
6. Affix mounting plate (A) to wall outlet box with mounting screws (C) provided.
7. Lift backplate (D) to the mounting plate and make the proper electrical connections noted in steps 8 through 10. A LICENSED ELECTRICIAN IS RECOMMENDED.
8. Attach ground wire from fixture (green or copper in color) to ground wire from outlet box. Fasten wires together with wire nut (H) and tightly wrap connection with electrical tape.
9. Attach hot wire from fixture (black in color or smooth side of wire) to hot wire from outlet box. Fasten wires together with wire nut (H) and tightly wrap connection with electrical tape.
10. Attach neutral wire from fixture (white in color or ribbed side of wire) to neutral wire from outlet box. Fasten wires together with wire nut (H) and tightly wrap connection with electrical tape. Gently push wire connections back into the wall outlet box.
11. Place backplate (D) over mounting plate (A). Use screws (B) to secure the backplate to the mounting surface.
12. Place shade (G) over backplate (D). Secure shade (G) by aligning the holes in shade with those in backplate (D). Next, thread screws (F) through aligned holes into backplate (D).
13. Install one 60W max., type B, candelabra base bulb into the socket (E).
14. Reconnect main electrical supply at the fuse box/ circuit breaker and test the fixture.

**** To clean, use soft cloth only. Do not use any chemical or abrasive cleaners. ****