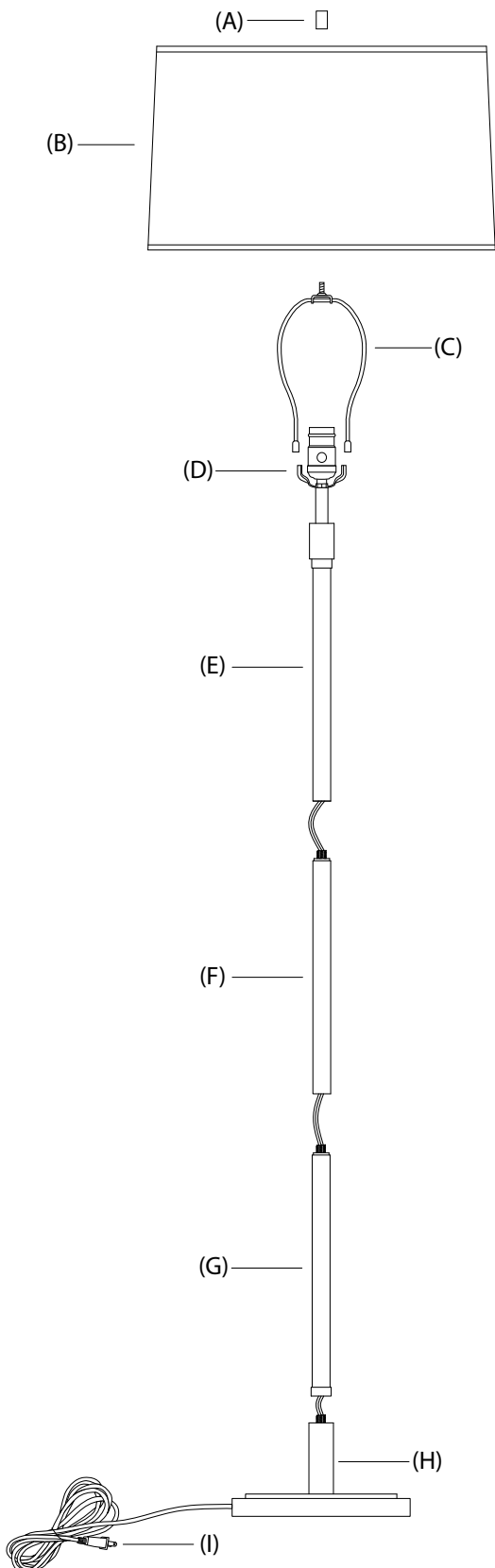


ASSEMBLY INSTRUCTIONS FOR YOUR
BANDIT FLOOR LAMP



SAFETY INSTRUCTIONS:

- * This lamp comes with a polarized plug as a feature to reduce the risk of electrical shock. If the plug does not fit into your outlet, contact a licensed electrician.
- * NEVER alter the plug.
- * Remove plug from wall outlet before replacing light bulb.
- * Do not connect the electricity until lamp is fully assembled.

ASSEMBLY INSTRUCTIONS:

1. Unpack all parts and place them on a level surface.
2. Align column (G) with base (H).
3. Thread column (G) onto base (H). Pull cord taut from below base (G) to prevent damage to the wire.
4. Thread column (F) onto column (G). Pull cord taut from below base (H) to prevent damage to the wire.
5. Thread column (E) onto column (F). Pull cord taut from below base (H) to prevent damage to the wire.
6. Remove finial (A) from harp (C).
7. Squeeze harp (C) inward and place into the opening of saddle (D).
8. Place shade (B) onto harp (C).
9. Screw finial (A) onto harp (C) to secure shade to lamp.
10. Install one 150W MAX. Type A bulb into socket.
11. Insert polarized plug (H) into wall outlet.

* To clean, use a soft cloth only. Do not use any chemical or abrasive cleaners. *