

LTR-S Specification Series

12VDC Side View (SV) LED Tape Specification Sheet



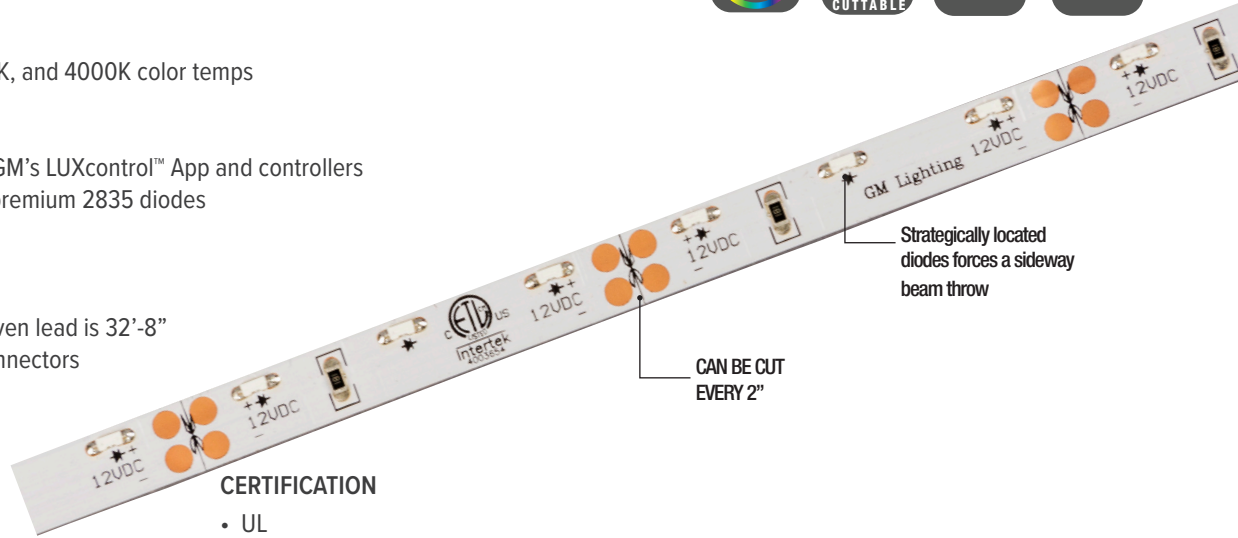
Project Name	Type
Catalog #	Date

PRODUCT OVERVIEW

GM's Specification Series Flexible Side View LED Tape features strategically placed diodes that throw light out at an angle, making it perfect for shelves, illuminating architectural detail and other constructs that require a directional beam. Available in 16'-4" (5M) reels.

FEATURES

- 12VDC
- 2700K, 3000K, 3500K, and 4000K color temps
- Dry location
- Cuttable every 2"
- Remote control with GM's LUXcontrol™ App and controllers
- Specially orientated premium 2835 diodes
- 120° viewing angle
- Dimmable
- 3M adhesive back
- Maximum run on a given lead is 32'-8"
- Includes Sure-Tite connectors



SPECIFICATIONS

ELECTRICAL

- 12V
- 1.5 watts per foot

OPTICS

- 80+ CRI

OPERATING TEMP

- -4°F to 122°F

CERTIFICATION

- UL
- Title 24 compliant when used with specific drivers. Consult factory.
- Class 2
- Closet Rated. Compliant with NFPA 70, NEC section 410.16 (A)(3) and 410.16 (C)(5)

WARRANTY

- 5-year warranty when paired with GM power supply.

ORDERING INFORMATION

Example: LTR-S-SV-12V-1.5W-27K-16

Model	Series	Type	Voltage	Wattage	Color Temp	Reel Length
LTR	S	SV	12V	1.5W	27K	16
					30K	
					35K	
					40K	

*Reel Length: 16 = 16'-4"

ACCESSORIES

Model	Description
STC-1	Sure-Tite tape to tape connector
STC-90	Sure-Tite 90° connector
STLK-60	Sure-Tite 60" adjustable tape to tape connector
STW-60	Sure-Tite 60" adjustable tape to power connector
STW-CO	Sure-Tite tape to power supply connector (no wire)

Your LED Tape Specification Checklist:

1. Select Tape
2. Select Connectors
3. Select Channels
4. Select Controllers or Dimmers
5. Select Power Supplies

Install Sheet



LTR-S Specification Series

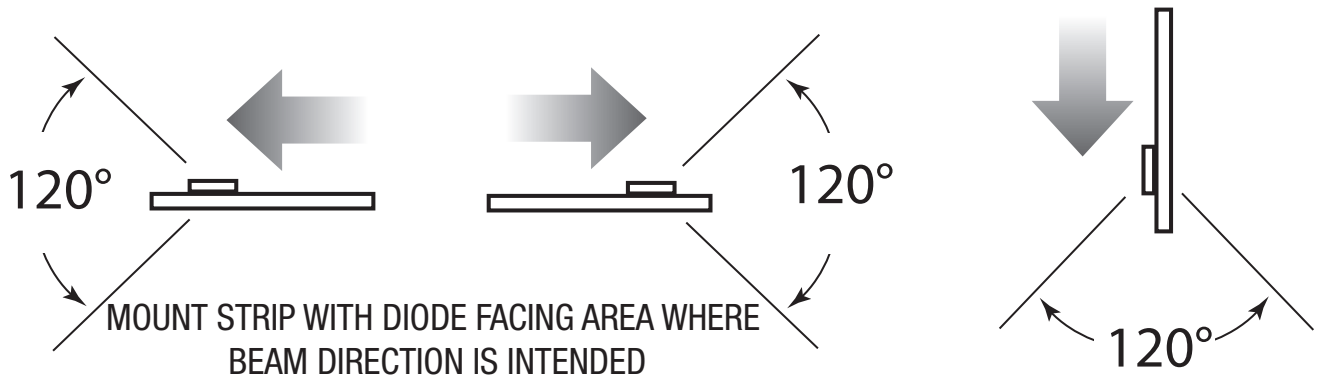
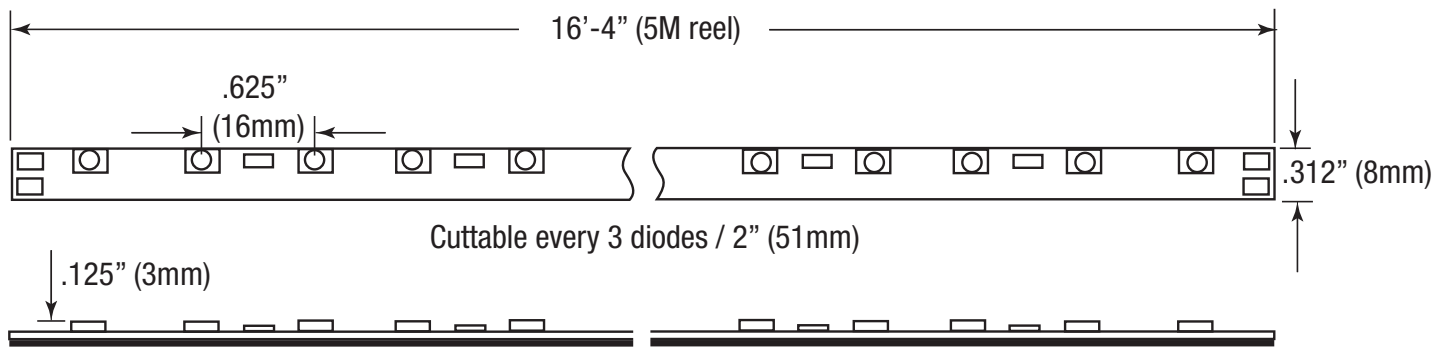
12VDC Side View (SV) LED Tape Specification Sheet



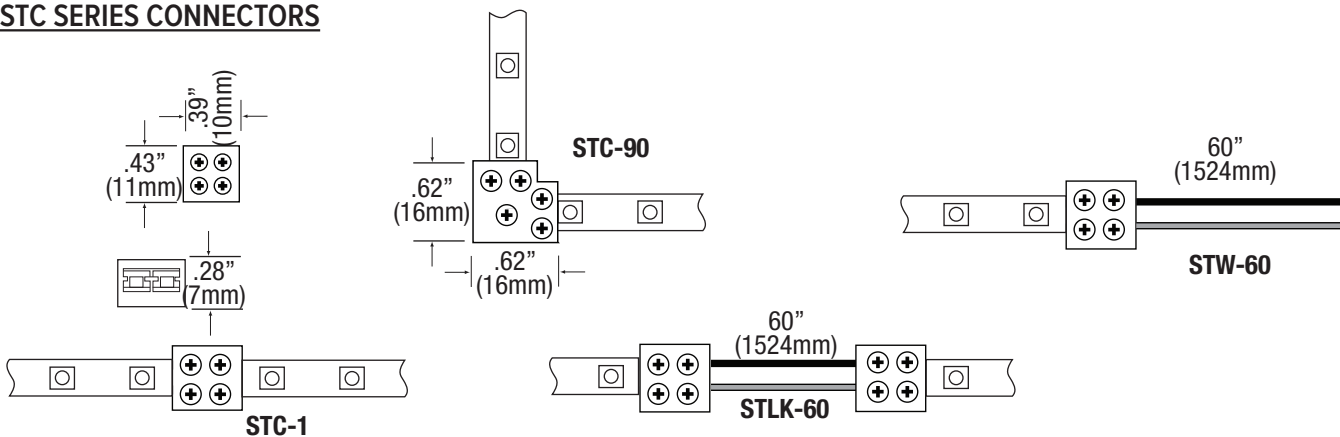
Catalog No.	Length	Lumens	CRI	Color Temp.	Max. Run
LTR-S-SV-12V-1.5W-27K-16	16'-4" / 5M	104	90+	2700K	16'-4"
LTR-S-SV-12V-1.5W-30K-16	16'-4" / 5M	108	90+	3000K	16'-4"
LTR-S-SV-12V-1.5W-35K-16	16'-4" / 5M	120	90+	3500K	16'-4"
LTR-S-SV-12V-1.5W-40K-16	16'-4" / 5M	127	90+	4000K	16'-4"

Includes 24" lead affixed to tape and (3) ESTW-60 Sure-Tite connectors.
Kelvin temperature (color) ±100K.

DIMENSION



STC SERIES CONNECTORS



LTR-S Specification Series

12VDC Side View (SV) LED Tape Specification Sheet



COMPATIBLE CONTROLLERS

Model	Description
SHWC	LUXcontrol Smart 2.4 GHz WiFi Controller, Standard 12V/24V Low Voltage
SHWD	LUXcontrol Smart 2.4 GHz WiFi Dimmer, Standard 12V/24V Low Voltage
SWD-40W-12VDC-DIM	SwitchLD All-in-One Dimmer and Driver, 40W, 12VDC
SWD-60W-12VDC-DIM	SwitchLD All-in-One Dimmer and Driver, 60W, 12VDC
HC-RF-UNV-5CH	Universal 1-5 Channel RF Remote Control
CM-RF-UNV-5CH	Universal 1-5 Channel Control Module
RPT-UNV-5CH	Universal 1-5 Channel Repeater Amplifier

RECOMMENDED DRIVERS

Catalog No.	Description	Watts	Specification Sheet
LD-XD-UNV	LineDrive Electronic Multi-Dimmable Power Supply, 12VDC or 24VDC	20W, 40W, 60W, 96W, 180W, 200W, 300W	View Spec Sheet
LD-E-UNV	LineDrive Electronic Non-Dimmable Power Supply, 12VDC or 24VDC	30W, 60W, 96W, 200W, 300W	View Spec Sheet
LD-MD-UNV	LineDrive Magnetic Dimmable Power Supply, 12VDC or 24VDC	30W, 60W, 96W, 150W, 200W, 300W	View Spec Sheet
LD-EDM	LineDrive Electronic Dimmable MINI Power Supply, 12VDC or 24VDC	60W	View Spec Sheet
LTP	Cord and Plug Power Supply, 12VDC or 24VDC	25W, 48W, 60W, 90W	View Spec Sheet
PSD	Electronic Dimmable Power Supply, 12VDC or 24VDC	15W, 24W, 60W, 90W	View Spec Sheet

Please see our website for updated power supply specifications and information.

COMPATIBLE CHANNELS - (fits connectors on pg. 1)

EXTRA DEEP

Catalog No.	Description	Length	Dimensions
LED-CHL-XD	Extra deep format extruded channel. Includes snap-on frosted lens with mounting clips and screws.	4'	
LED-CHL-XD-6	Extra deep format extruded channel. Includes snap-on frosted lens with mounting clips and screws.	6'	
LED-CHL-XD-AMC	(2) Adjustable mounting brackets for LED-CHL-XD	N/A	
LED-CHL-XD-EC	(2) End caps for LED-CHL-XD. One solid, one with hole.	N/A	
LED-CHL-XD-MC	(2) Mounting clips and screws for LED-CHL-XD	N/A	

EXTRA DEEP FLANGED

Catalog No.	Description	Length	Dimensions
LED-CHL-XD-F	Extra deep format extruded channel with flange. Includes snap-on frosted lens with mounting clips and screws.	4'	
LED-CHL-XD-F-6	Extra deep format extruded channel with flange. Includes snap-on frosted lens with mounting clips and screws.	6'	
LED-CHL-XD-F-DC	(2) Drywall mounting brackets for LED-CHL-XD-F	N/A	
LED-CHL-XD-F-EC	(2) End caps for LED-CHL-XD-F. One solid, one with hole.	N/A	

LTR-S Specification Series

12VDC Side View (SV) LED Tape Specification Sheet



COMPATIBLE CHANNELS cont. - (fits connectors on pg. 1)

MINI DEEP

Catalog No.	Description		Dimensions
LED-CHL-XD-MD	Mini deep format extruded channel. Includes snap-on frosted lens with mounting clips and screws.	4'	
LED-CHL-XD-MD-WH	Mini deep format extruded channel. Includes snap-on frosted lens with mounting clips and screws. White.	4'	
LED-CHL-XD-MD-B	Mini deep format extruded channel. Includes snap-on frosted lens with mounting clips and screws. Black.	4'	
LED-CHL-XD-MD-6	Mini deep format extruded channel with flange. Includes snap-on frosted lens with mounting clips and screws.	6'	
LED-CHL-XD-MD-6-WH	Mini deep format extruded channel. Includes snap-on frosted lens with mounting clips and screws. White.	6'	
LED-CHL-XD-MD-6-B	Mini deep format extruded channel. Includes snap-on frosted lens with mounting clips and screws. Black.	6'	
LED-CHL-XD-MD-AMC	(2) Adjustable mounting brackets for LED-CHL-XD-MD	N/A	
LED-CHL-XD-MD-EC	(2) End caps for LED-CHL-XD-MD. One solid, one with hole.	N/A	
LED-CHL-XD-MD-MC	(2) Mounting clips for LED-CHL-XD-MD	N/A	

MINI DEEP FLANGED

LED-CHL-XD-MD-F	Mini deep format flanged extruded channel with flange. Includes snap-on frosted lens with mounting clips and screws.	4'	
LED-CHL-XD-MD-F-WH	Mini deep format flanged extruded channel with flange. Includes snap-on frosted lens with mounting clips and screws. White.	4'	
LED-CHL-XD-MD-F-B	Mini deep format flanged extruded channel with flange. Includes snap-on frosted lens with mounting clips and screws. Black.	4'	
LED-CHL-XD-MD-F-6	Mini deep format extruded flanged channel with flange. Includes snap-on frosted lens with mounting clips and screws.	6'	
LED-CHL-XD-MD-F-6-WH	Mini deep format extruded flanged channel with flange. Includes snap-on frosted lens with mounting clips and screws. White.	6'	
LED-CHL-XD-MD-F-6-B	Mini deep format extruded flanged channel with flange. Includes snap-on frosted lens with mounting clips and screws. Black.	6'	
LED-CHL-XD-MD-F-DC	(2) Drywall mounting brackets for LED-CHL-XD-MD-F	N/A	
LED-CHL-XD-MD-F-EC	(2) End caps for LED-CHL-XD-MD-F One solid, one with hole.	N/A	

45° ANGLE MOUNT

LED-CHL-45	Extruded angled (45°) channel. Includes snap-on frosted lens with mounting clips and screws.	4'	
LED-CHL-45-EC	(2) End caps for LED-CHL-45 - one solid, one with hole	N/A	
LED-CHL-45-MC	(2) Mounting clips and screws for LED-CHL-45	N/A	

45° LARGE ANGLE MOUNT

LED-CHL-45-1200	Extruded angled (45°) channel. Includes snap-on frosted lens with mounting clips and screws.	4'	
LED-CHL-45-1200-EC	(2) End caps for LED-CHL-45 - one solid, one with hole	N/A	
LED-CHL-45-1200-MC	(2) Additional mounting clips for LED-CHL-45-1200	N/A	

LTR-S Specification Series

12VDC Side View (SV) LED Tape Specification Sheet



COMPATIBLE CHANNELS cont. - (fits connectors on pg. 1)

WIDE

Catalog No.	Description		Dimensions
LED-CHL-W	Wide format extruded channel. Includes snap-on frosted lens with mounting clips and screws.	4'	
LED-CHL-W-6	Wide format extruded channel. Includes snap-on frosted lens with mounting clips and screws.	6'	
LED-CHL-W-AMC	(2) Adjustable mounting brackets for LED-CHL-W	N/A	
LED-CHL-W-EC	(2) End caps for LED-CHL-W - one solid, one with hole.	N/A	
LED-CHL-W-MC	(2) Additional mounting clips for LED-CHL-W	N/A	

MUD IN - STANDARD

LED-CHL-MI-ST6	Standard extruded aluminum mud-in channel. Includes snap-on frosted lens.	6'	
LED-CHL-MI-ST-EC	(2) End caps for LED-CHL-MI-ST6 one solid, one with hole.	N/A	

COMPATIBLE CHANNELS - SOLDERED LEADS ONLY

STANDARD STRAIGHT

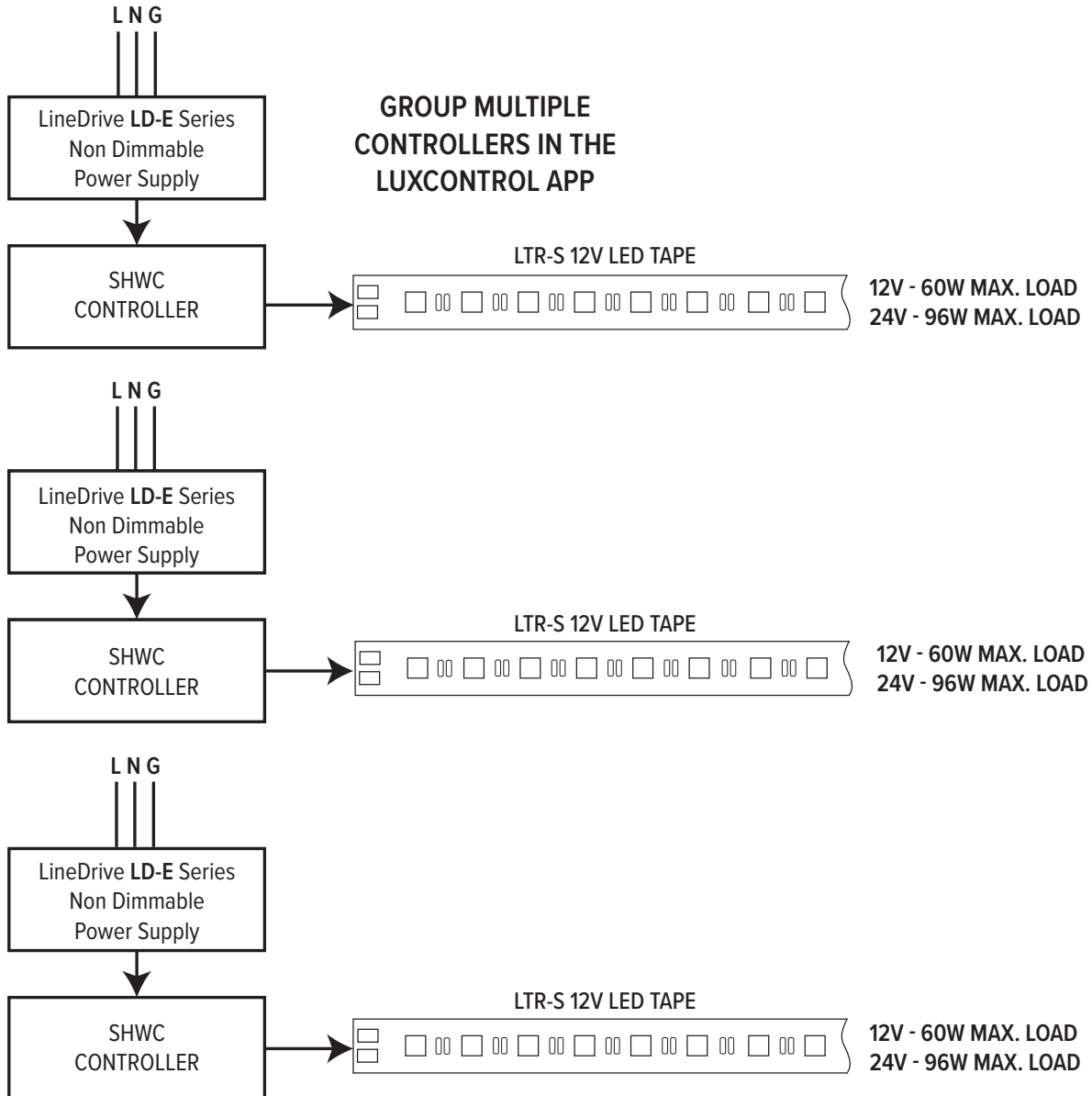
Catalog No.	Description		Dimensions
LED-CHL	Extruded channel. Includes snap-on frosted lens with mounting clips and screws.	4'	
LED-CHL-6	Extruded channel. Includes snap-on frosted lens with mounting clips and screws.	6'	
LED-CHL-AMC	(2) Adjustable mounting brackets for LED-CHL	N/A	
LED-CHL-EC	(2) End caps for LED-CHL - one solid, one with hole.	N/A	
LED-CHL-MC	(2) Additional mounting clips for LED-CHL	N/A	

LTR-S Specification Series

12VDC Side View (SV) LED Tape Specification Sheet



SHWC LUXCONTROL WIFI CONTROLLER

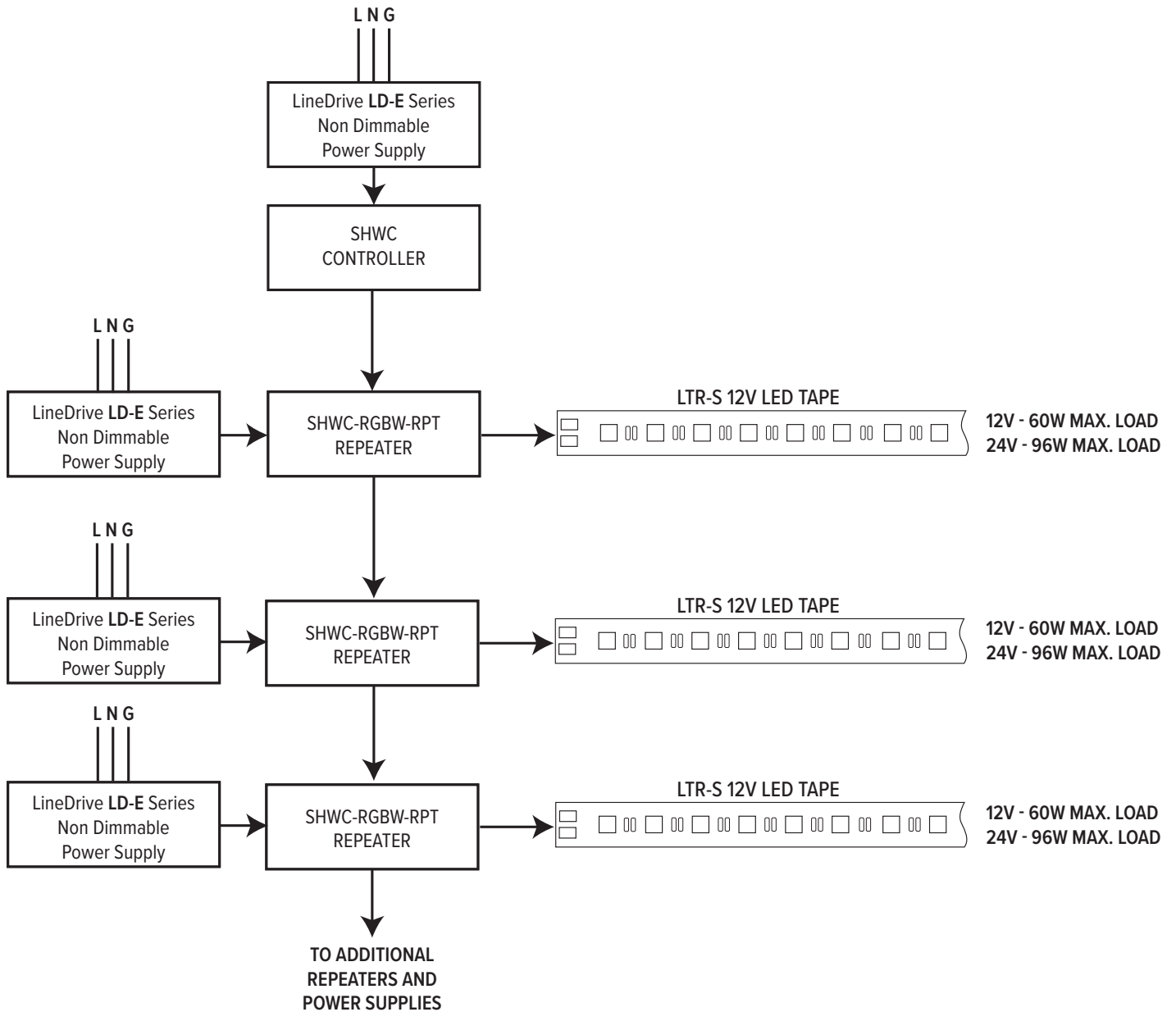


LTR-S Specification Series

12VDC Side View (SV) LED Tape Specification Sheet



SHWC LUXCONTROL WIFI CONTROLLER WITH POWER REPEATER

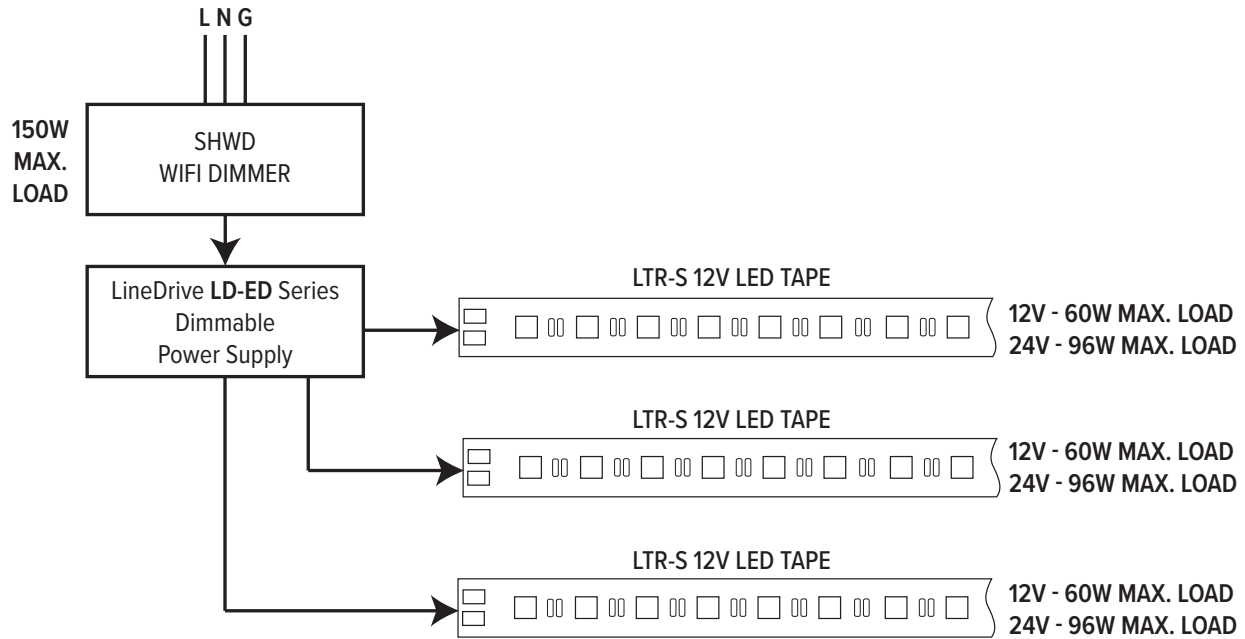


LTR-S Specification Series

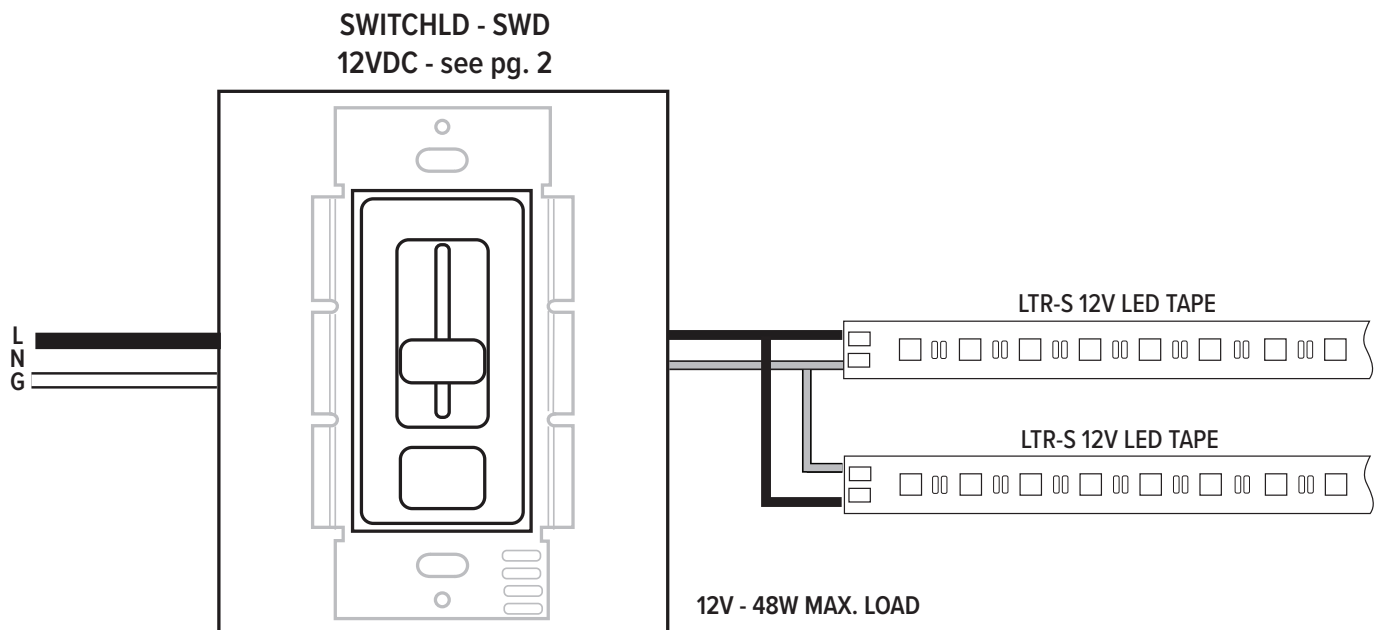
12VDC Side View (SV) LED Tape Specification Sheet



SHWD LUXCONTROL WIFI DIMMER



SWITCHLD SWD DRIVER AND DIMMER



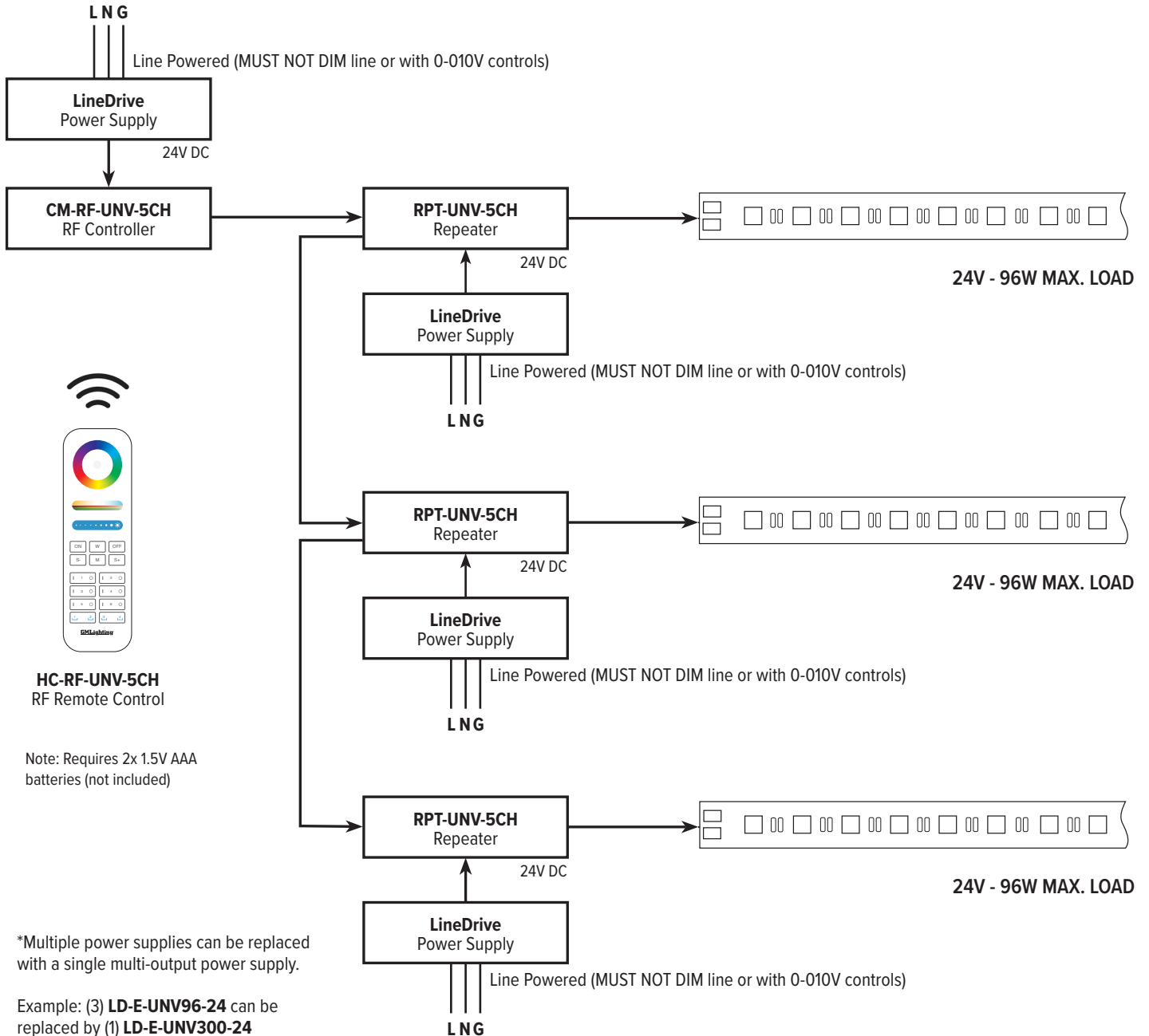
LTR-S Specification Series

12VDC Side View (SV) LED Tape Specification Sheet



RF CONTROLLER

Incoming power for (L N G) options can be 120V or 277V.
 Check power supply for proper input voltage and output power required.
 Power Supply output voltage must match LED operating voltage. (24VDC)
 Power supply used **MUST NOT BE DIMMED** at the input to properly power the controls.
 See Controller instructions for pairing and wiring details.



HC-RF-UNV-5CH
RF Remote Control

Note: Requires 2x 1.5V AAA batteries (not included)

*Multiple power supplies can be replaced with a single multi-output power supply.

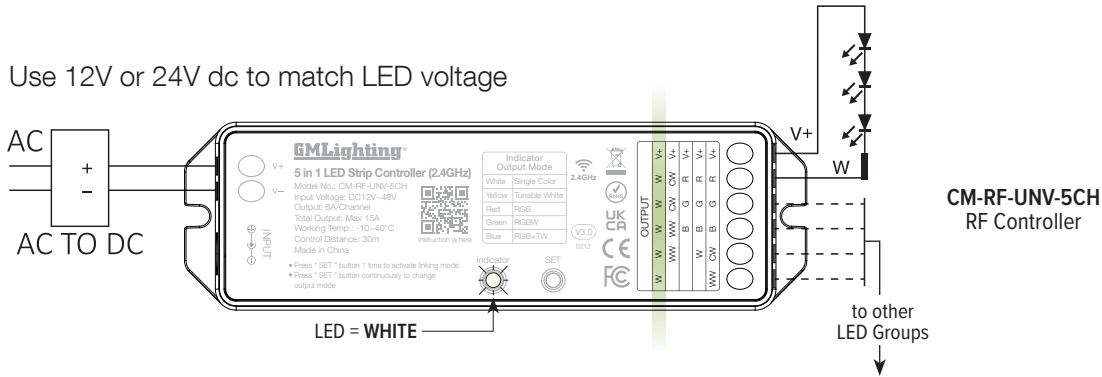
Example: (3) **LD-E-UNV96-24** can be replaced by (1) **LD-E-UNV300-24**

LTR-S Specification Series

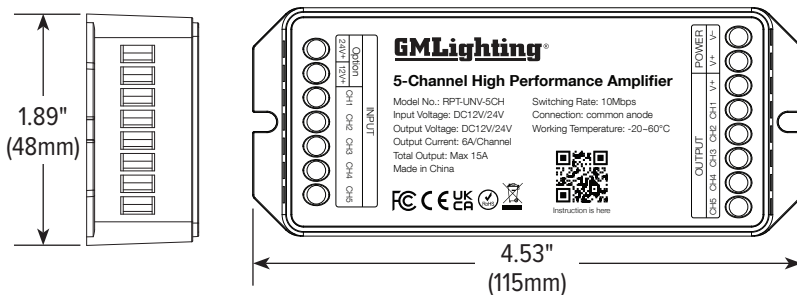
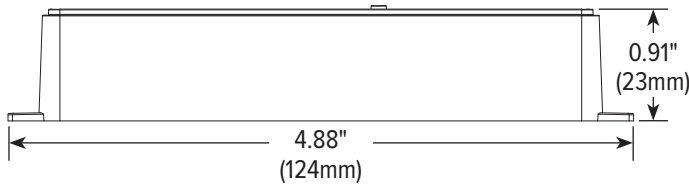
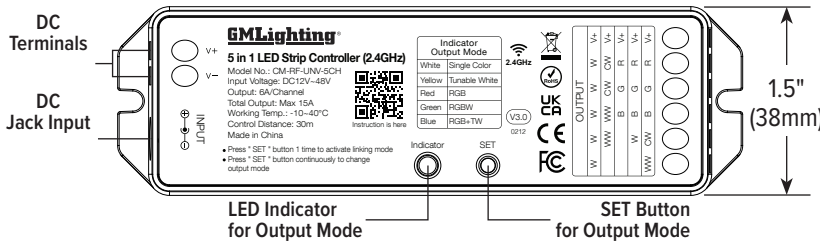
12VDC Side View (SV) LED Tape Specification Sheet

RF REMOTE CONTROLLER AND REPEATER

Use 12V or 24V dc to match LED voltage



DIMENSIONS



LTR-S Specification Series

12VDC Side View (SV) LED Tape Specification Sheet



RF HAND HELD REMOTE FEATURES AND DIMENSIONS

