

MicroTask 4

5CCT 120V Mini IC Rated Round / Square Deep Regressed LED Downlight

PRODUCT OVERVIEW

Excellent color rendition and high lumens in a mini-downlight. Title 24 certified and IC rated with 5CCT choices in one unit to meet many application needs. Nominal 4" round or square trims have low glare for visual comfort. Fixtures feature a power supply with intergrated junction box and modular twist-connector for easy installation. Perfect for downlight and accent light applications. White or black finish. Flexible modular extended connectors available.

FEATURES

- Dimmable (Triac, ELV)
- 5CCT selectable
- 90+ CRI
- IC rated
- 4.5" dia. x 3" depth (round trim)
- 4.5" square x 3" depth (square trim)
- LUXcontrol App compatible when installed with SHWD
- Snap-in spring clips installation
- ETL, Title 24 and Energy Star

SPECIFICATIONS

ELECTRICAL

- 120VAC - 60Hz
- 15W

PHOTOMETRICS

- 5CCT selection switch
- 38° beam angle

CERTIFICATIONS

- ETL (for US and Canada)
- Title 24 - JA8
- Energy Star
- Wet location (covered ceiling only)

WARRANTY

- 5 years

ORDERING INFORMATION

	-		-	
Model	-	Color Temp.	-	Finish
MDL-4R (Round)		5CCT		WH (WHITE) BK (BLACK)
MDL-4S (Square)				

Ordering Example: **MDL-4R-5CCT-BK**

CONNECTORS AND ACCESSORIES

Catalog No.	Description
RSD-TUN-5FT-EXT	5' EXTENSION CORD FOR MDL SERIES DOWNLIGHTS
RSD-TUN-10FT-EXT	10' EXTENSION CORD FOR MDL SERIES DOWNLIGHTS
RSD-TUN-20FT-EXT	20' EXTENSION CORD FOR MDL SERIES DOWNLIGHTS
UNV-NCP	NEW CONSTRUCTION PLATE FOR ALL MDL SERIES DOWNLIGHTS
SHWD	SMART 2.4 WiFi DIMMER, 120V, WHITE (with LUX App)

GM Lighting®

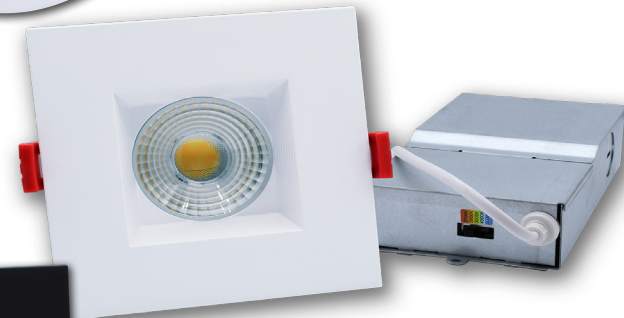
Project Name	Type
Catalog #	Date



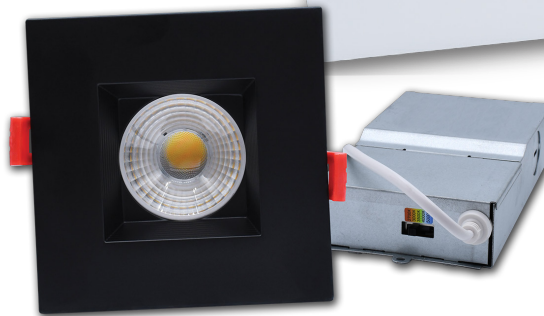
MDL-4R-WH



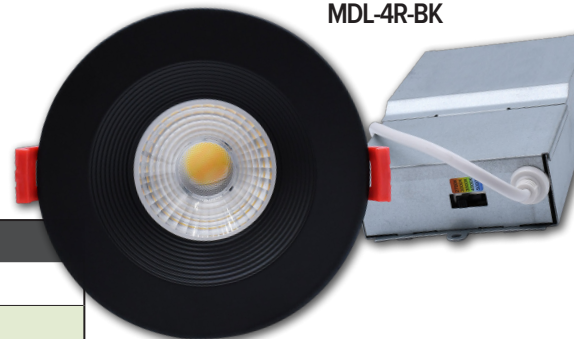
MDL-4S-WH



MDL-4S-BK



MDL-4R-BK



CUT-OUT DIMENSIONS: 3-3/4"
PRODUCT DIAGRAM: NEXT PAGE

MicroTask 4

5CCT 120V Mini IC Rated Round / Square Deep Regressed LED Downlight

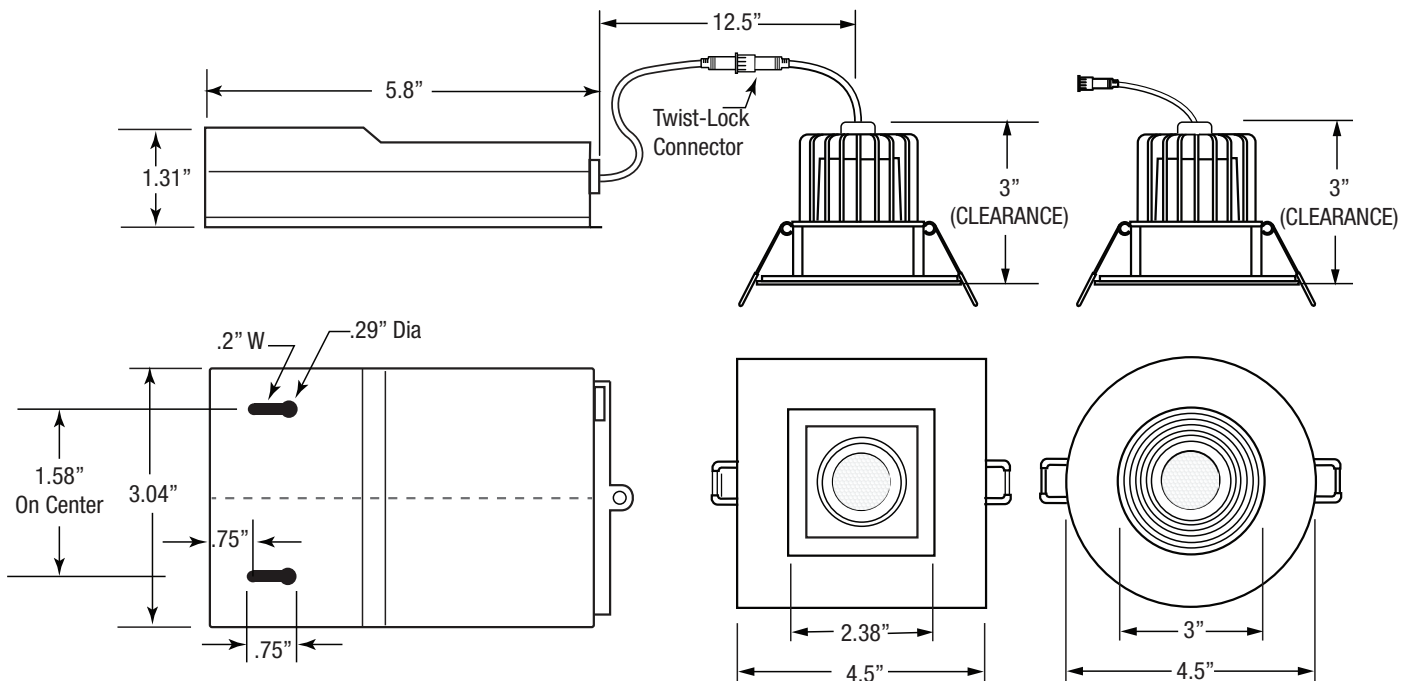


FIXTURE LUMENS

MODEL	2700K	3000K	3500K	4000K	5000K
MDL-4R-5CCT-WH MDL-4S-5CCT-WH	865	950	1045	1080	1050
LUMEN FACTOR	0.91	1.00	1.10	1.14	1.11
MDL-4R-5CCT-BK MDL-4S-5CCT-BK	795	875	955	985	960
LUMEN FACTOR	0.91	1.00	1.09	1.13	1.10

NOTE: When using 3000K ies files, use Lumen Factor to get Lumen values for other Color Temperatures (CCT)
 Example: MDL-4R-5CCT-WH, 950lm x 1.14 = 1083lm at 4000K

PRODUCT DIAGRAM



INTEGRATED POWER SUPPLY & JUNCTION BOX
 Junction box meets NEC requirements for maximum of (5) 14 AWG or (5) 12 AWG conductors suitable for 90°C are permitted in box.
 J-box volume = 11.25ⁱⁿ³.

